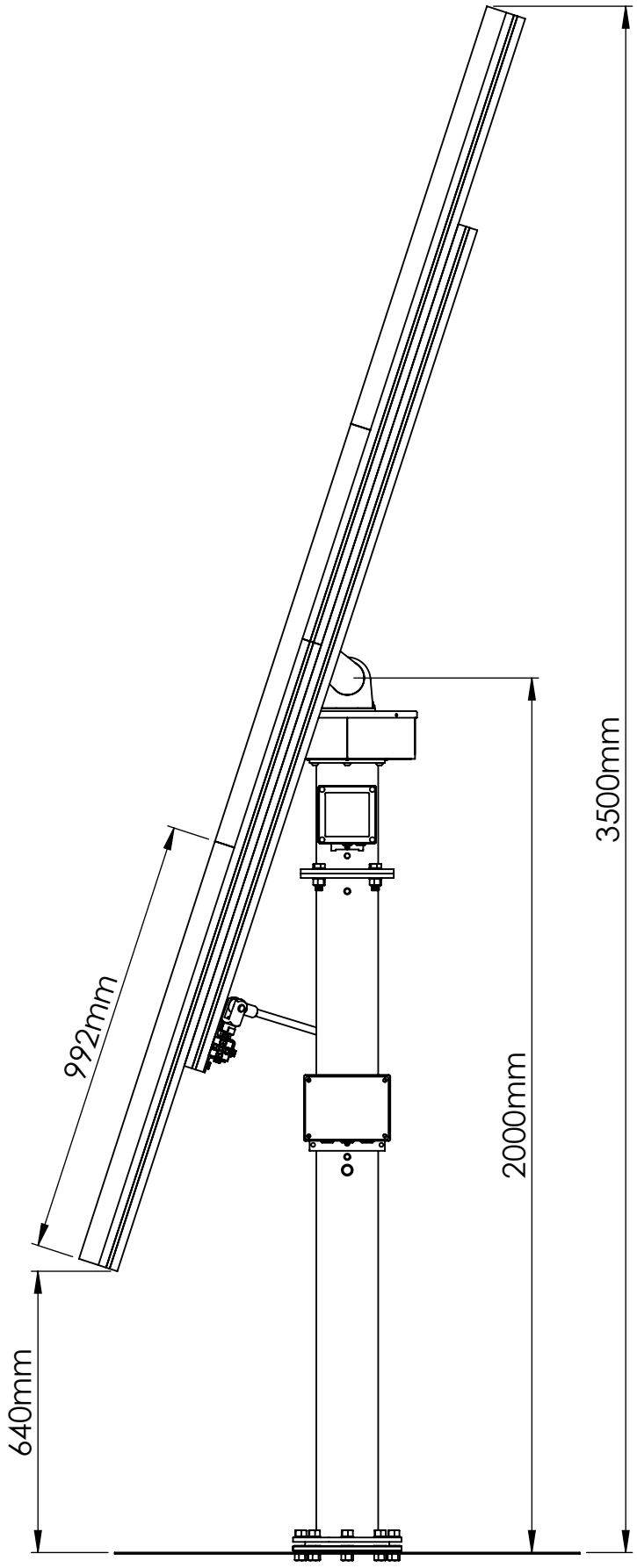


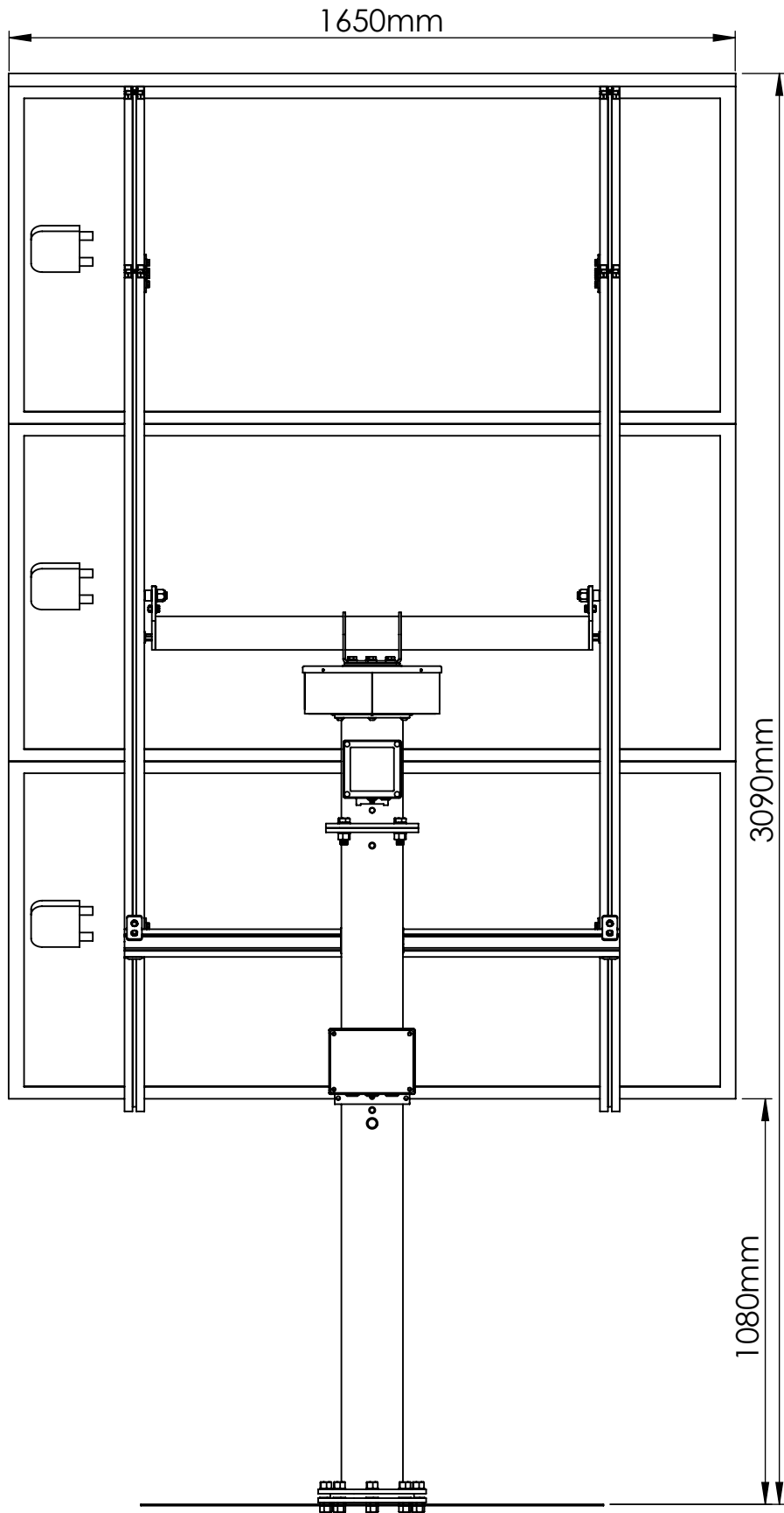



THE INFORMATION CONTAINED IN THIS DRAWING IS THE SOLE PROPERTY OF HELIOZENIT. ANY REPRODUCTION IN PART OR AS A WHOLE WITHOUT THE WRITTEN PERMISSION OF HELIOZENIT IS PROHIBITED.



Pcs: 1	Part Name: PV-3M Morning Position	Material:
Designer: Mike	Assembly Name: Dimensions	Scale: 1:15 View: 
 HelioZenit info@heliomotion.com	Project: Heliomotion	Version: 1
		Part Number:



THE INFORMATION CONTAINED IN THIS DRAWING IS THE SOLE PROPERTY OF HELIOZENIT. ANY REPRODUCTION IN PART OR AS A WHOLE WITHOUT THE WRITTEN PERMISSION OF HELIOZENIT IS PROHIBITED.

Pcs:	1	Part Name:	PV-3M Noon Position	Material:	
Designer:	Mike	Assembly Name:	Dimensions	Scale:	1:15 View:
 HelioZenit info@heliomotion.com	Project:	Heliomotion		Version:	1
				Part Number:	