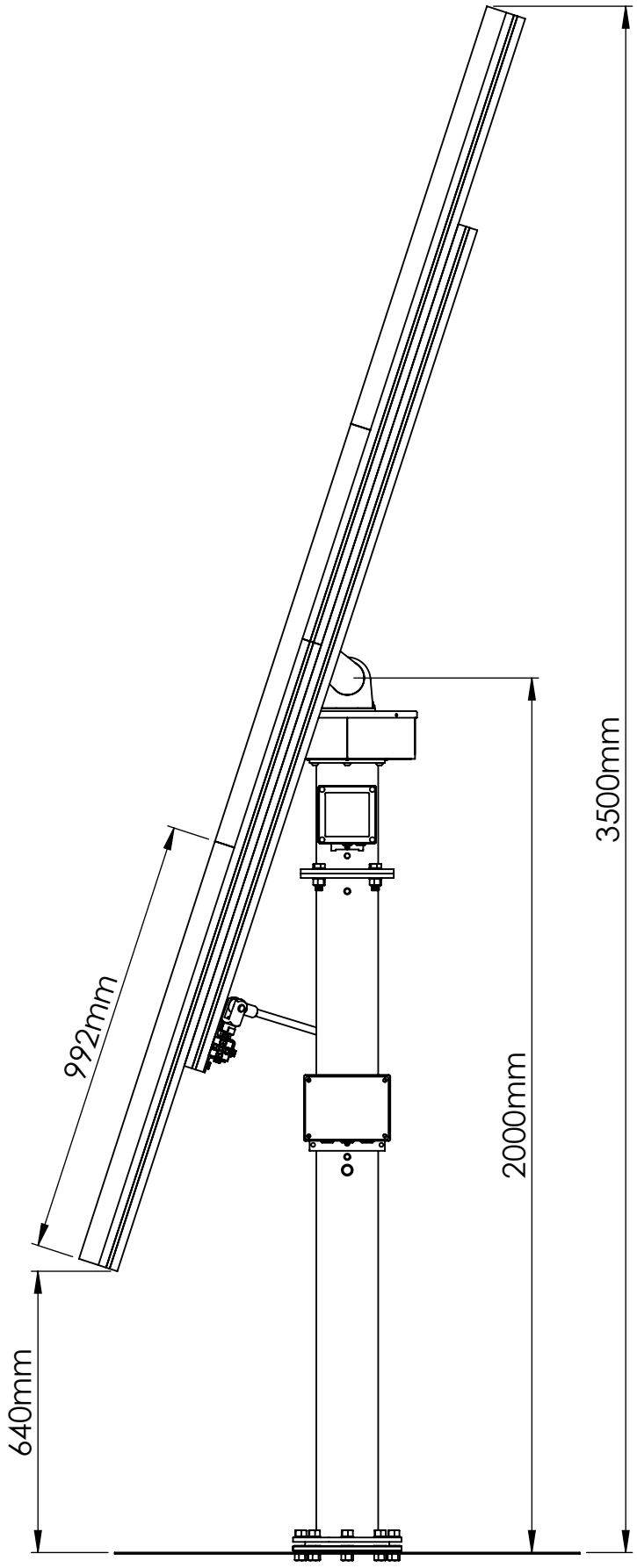


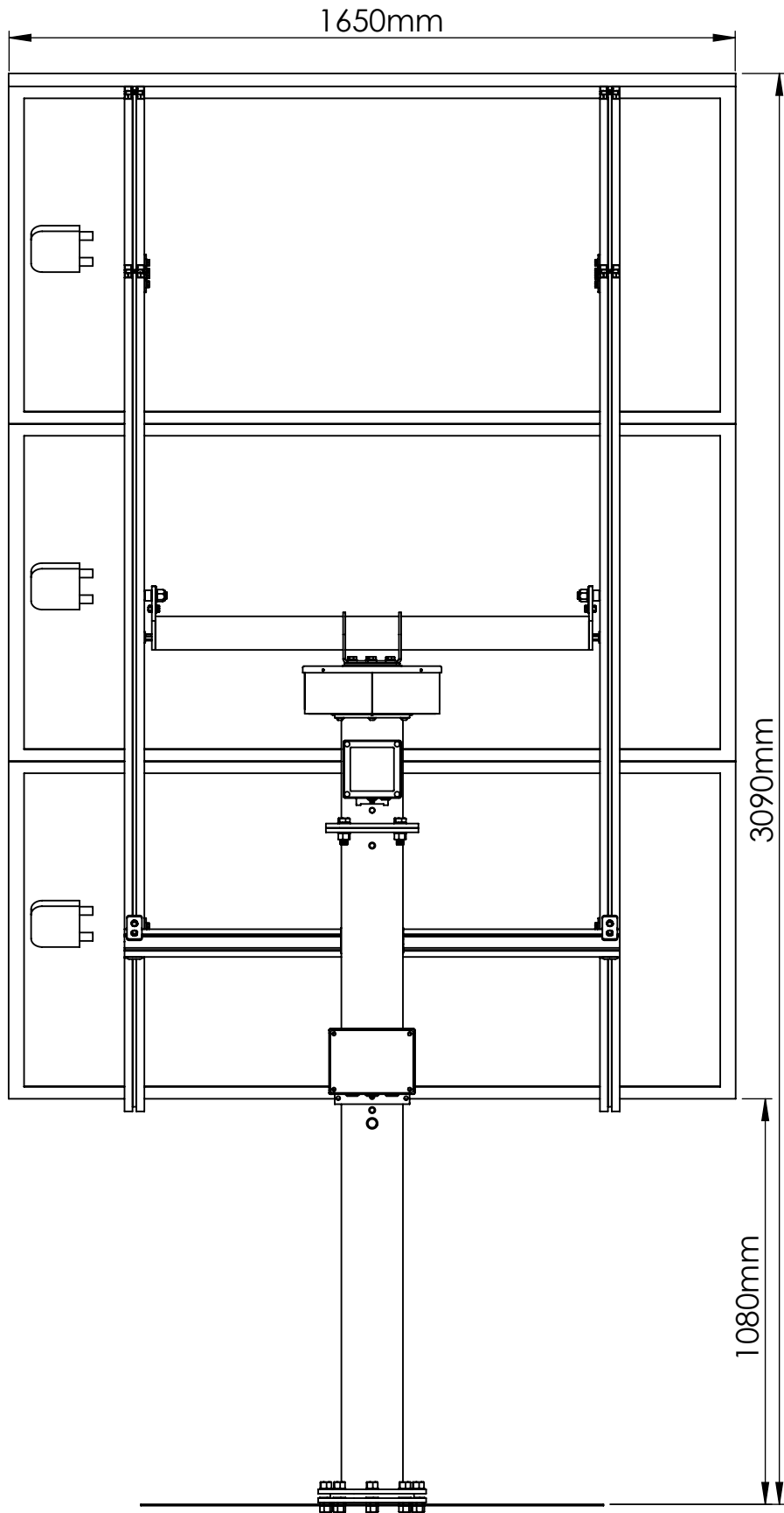


THE INFORMATION CONTAINED IN THIS DRAWING IS THE SOLE PROPERTY OF HELIOZENIT. ANY REPRODUCTION IN PART OR AS A WHOLE WITHOUT THE WRITTEN PERMISSION OF HELIOZENIT IS PROHIBITED.



Pcs: 1	Part Name: PV-3 Morning Position	Material:
Designer: Mike	Assembly Name: Dimensions	Scale: 1:15 View: 
	Project: <b>Heliomotion</b>	Version: 1
		Part Number:



THE INFORMATION CONTAINED IN THIS DRAWING IS THE SOLE PROPERTY OF HELIOZENIT. ANY REPRODUCTION IN PART OR AS A WHOLE WITHOUT THE WRITTEN PERMISSION OF HELIOZENIT IS PROHIBITED.

Pcs:	1	Part Name:	PV-3 Noon Position	Material:	
Designer:	Mike	Assembly Name:	Dimensions	Scale:	1:15 View:
	<b>Heliomotion</b>	Project:		Version:	1
				Part Number:	